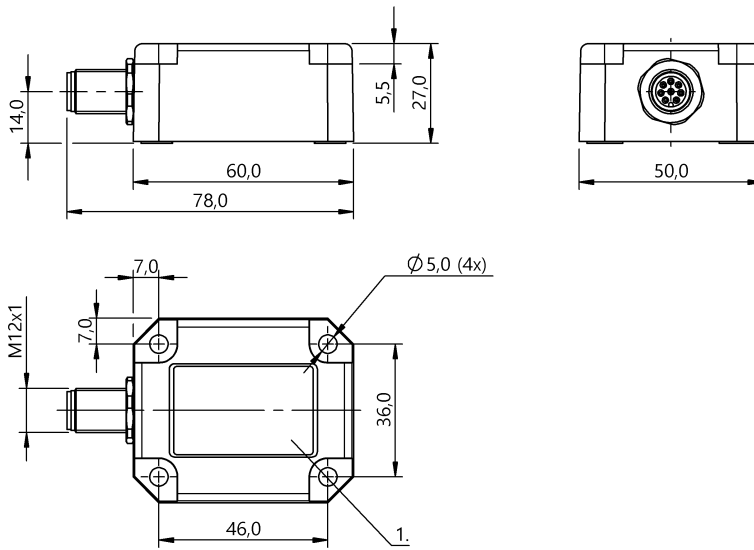


Inclination Sensors  
**BSI R65K0-XB-MYS090-S115**  
 Order Code: BSI0009

**BALLUFF**



**Basic features**

Approval/Conformity	CE cULus WEEE
Basic standard	EN 61326-1
Measuring principle	MEMS

**Electrical connection**

Connection	M12x1
Polarity reversal protected	yes
Protection against device mix-ups	no
Short-circuit protection	yes

**Electrical data**

Current draw max.	25 mA
Load resistance max., analog output	900 Ohm
Operating voltage Ub	10...30 VDC
Protection class	III
Rated operating voltage Ue DC	24 V
Ready delay tv max.	1 s

**Environmental conditions**

Ambient temperature	-40...80 °C
Contamination scale	3
EN 60068-2-27, Shock	yes
EN 60068-2-6, Vibration	yes
IP rating	IP67
Relative humidity	95 %, non-condensing
Storage temperature	-40...85 °C

**Functional safety**

MTTF (40 °C)	121 a
--------------	-------

**Interface**

Analog output	2x Analog, current 4...20 mA
---------------	------------------------------

**Material**

Housing material	Plastic
------------------	---------

**Mechanical data**

Dimension	50 x 27 x 78 mm
Measuring axes	2
Mounting part	Threads
Rotation direction	Clockwise
Weight	110.00 g

**Range/Distance**

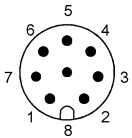
Accuracy	±0.2°
Resolution	≤ 0.01 °
Sampling rate	20 ms
Temperature drift max.	±0.1°/10 K

Remarks

Centering in a range of  $\pm 5^\circ$  from horizontal is possible  
For more information about MTTF and B10d see MTTF / B10d Certificate

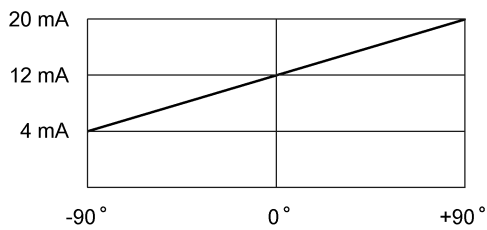
Indication of the MTTF- / B10d value does not represent a binding composition and/or life expectancy assurance; these are simply experiential values with no warranty implications. These declared values also do not extend the expiration period for defect claims or affect it in any way.

**Connector Drawings**



- PIN 1: Y 4..20 mA
- PIN 2: Vcc
- PIN 3: Int. use
- PIN 4: Int. use
- PIN 5: GND
- PIN 6: Centering
- PIN 7: 4..20 mA
- PIN 8: Shield

**Technical Drawings**



Output signal measuring range

## Help Views

